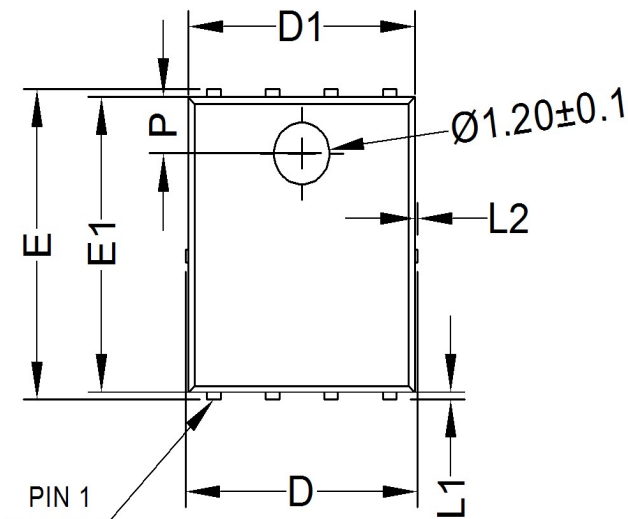
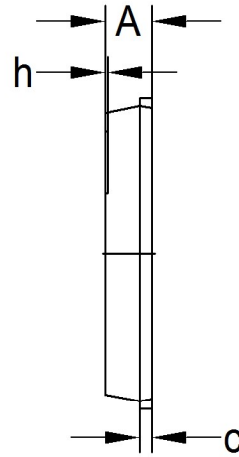


POD#	PODGZ-3
REV#	Rev.A

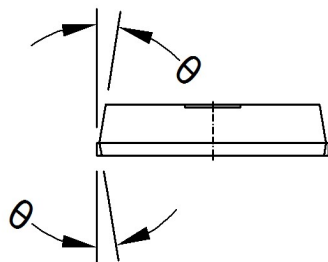
PDFN 5x6 Dual PACKAGE OUTLINE DRAWING



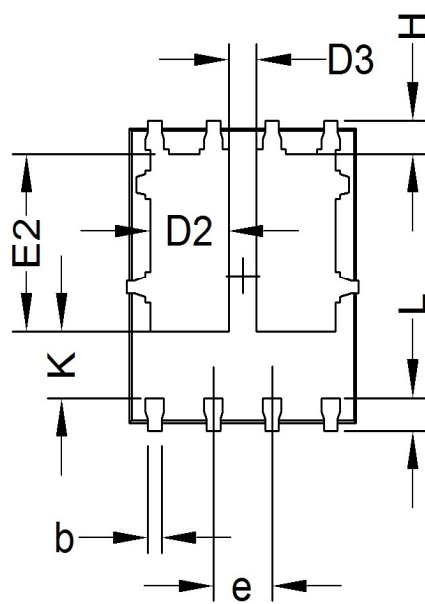
Top View



Side View



Side View



Bottom View

	MIN	NOM	MAX
A	0.90	1.00	1.10
b	0.20	0.30	0.40
c	0.21	0.25	0.34
D	-	-	5.10
D1	4.80	4.90	5.00
D2	1.605	1.705	1.805
D3	0.55	0.60	0.65
e	1.27 BSC		
E	5.90	6.00	6.10
E1	5.65	5.75	5.85
E2	3.375	3.475	3.575
H	0.55	0.65	0.75
h	-	-	0.10
K	1.20	-	-
L	0.535	0.635	0.735
L1	0.05	0.15	0.25
L2	-	-	0.12
Ø	8°	10°	12°
P	1.00	1.10	1.20

Unit in mm

RECOMMENDED LAND PATTERN

